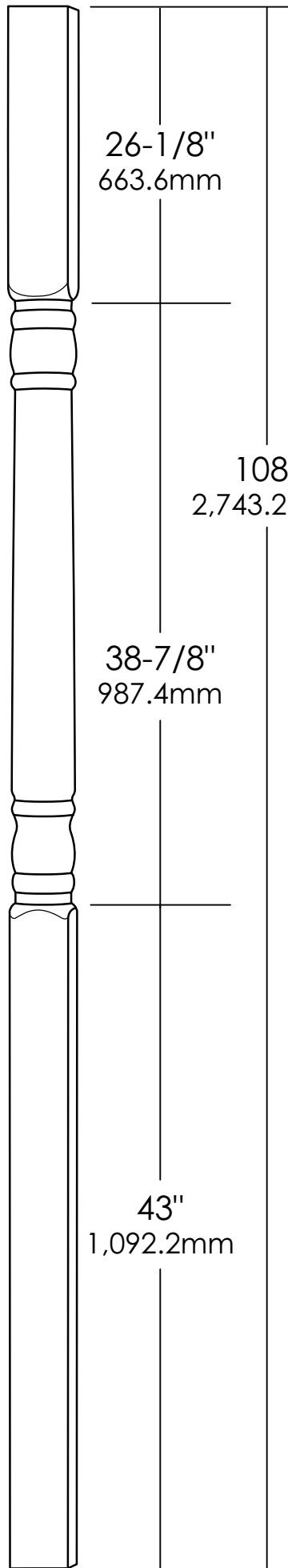


This drawing is the property of Tuscan Manufacturing.  
 Any hard copy of this drawing may not be current.  
 This document and or images contained within may not be  
 reproduced in publication format without express written consent  
 of Tuscan Manufacturing. Drawings may not be to scale.

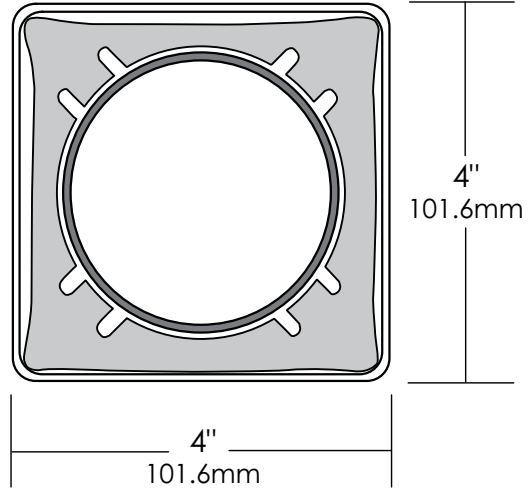
**TUSCAN MANUFACTURING**

P.O. Box 185 Landisville, PA 17538

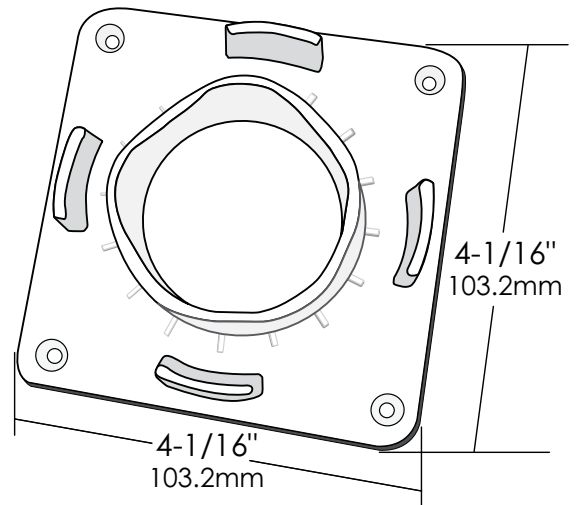
UCM PART#	REF#	REV
TP404C		
SCALE	SHEET#	DRAWN BY DATE
	1 of 1	Tuscan 7/16/09



**4" Porch Post  
(Cross Section View)**



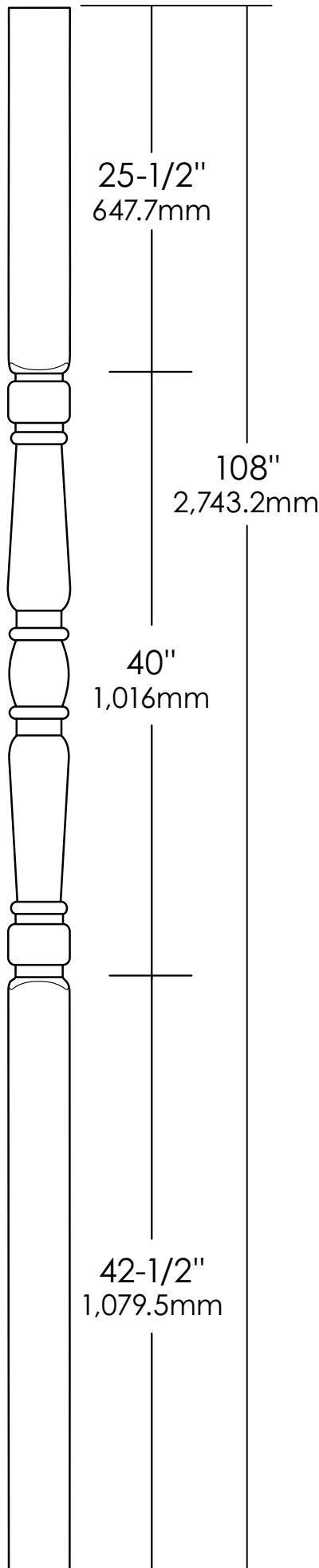
**4" Porch Post Plate**



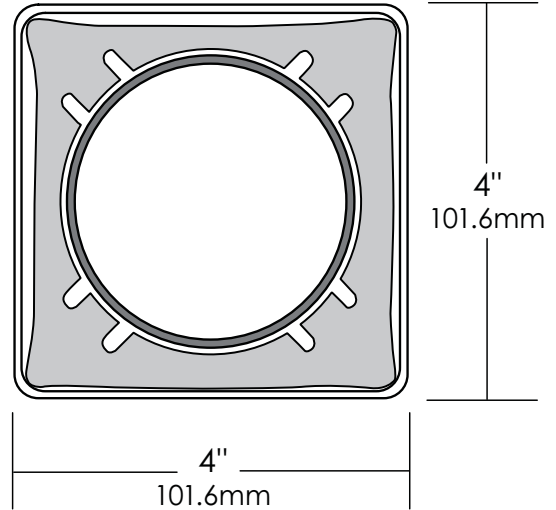
**TUSCAN**  
 MANUFACTURING  
 www.tuscanmfg.com

This drawing is the property of Tuscan Manufacturing.  
 Any hard copy of this drawing may not be current.  
 This document and or images contained within may not be reproduced in publication format without express written consent of Tuscan Manufacturing. Drawings may not be to scale.

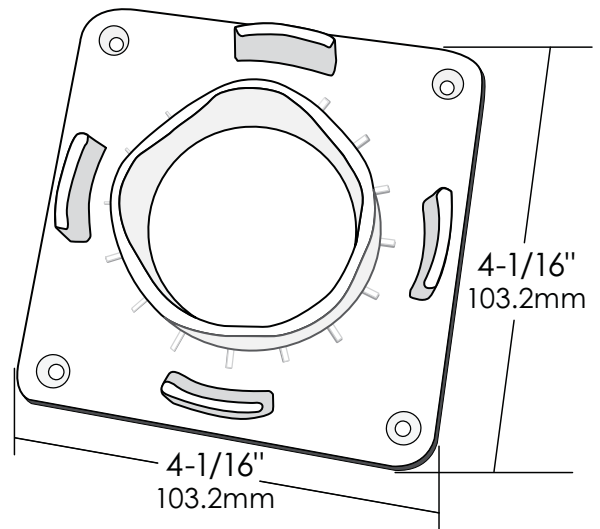
TUSCAN MANUFACTURING			
P.O. Box 185 Landisville, PA 17538			
UCM PART#	REF#	REV	
	TP404R		
SCALE	SHEET#	DRAWN BY	DATE
	1 of 1	Tuscan	7/17/09



**4" Porch Post**  
(Cross Section View)

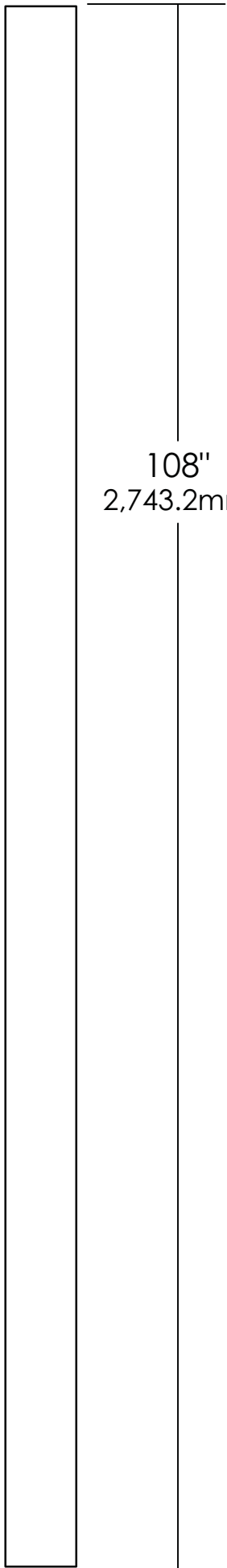


**4" Porch Post Plate**

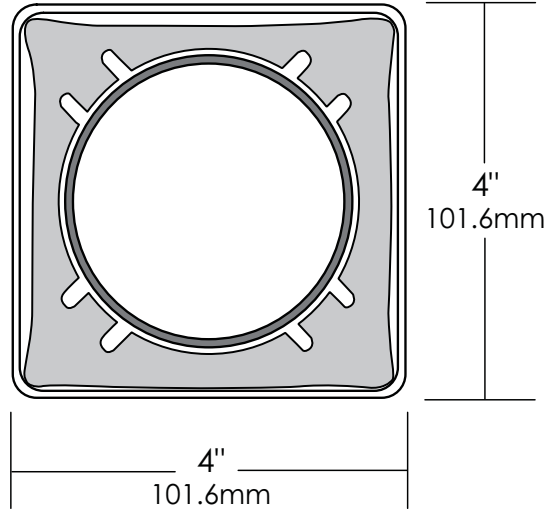


This drawing is the property of Tuscan Manufacturing.  
 Any hard copy of this drawing may not be current.  
 This document and or images contained within may not be reproduced in publication format without express written consent of Tuscan Manufacturing. Drawings may not be to scale.

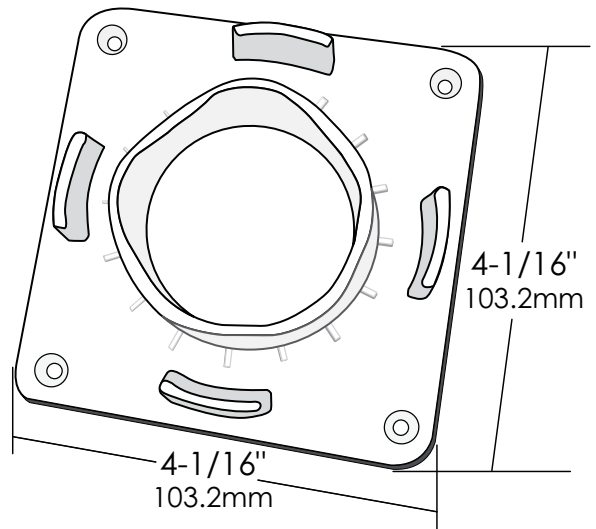
<b>TUSCAN MANUFACTURING</b>			
P.O. Box 185 Landisville, PA 17538			
UCM NUMBER	REF#	REV	
	TP404S		
SCALE	SHEET#	DRAWN BY	DATE
	1 of 1	Tuscan	7/17/09



**4" Porch Post**  
(Cross Section View)



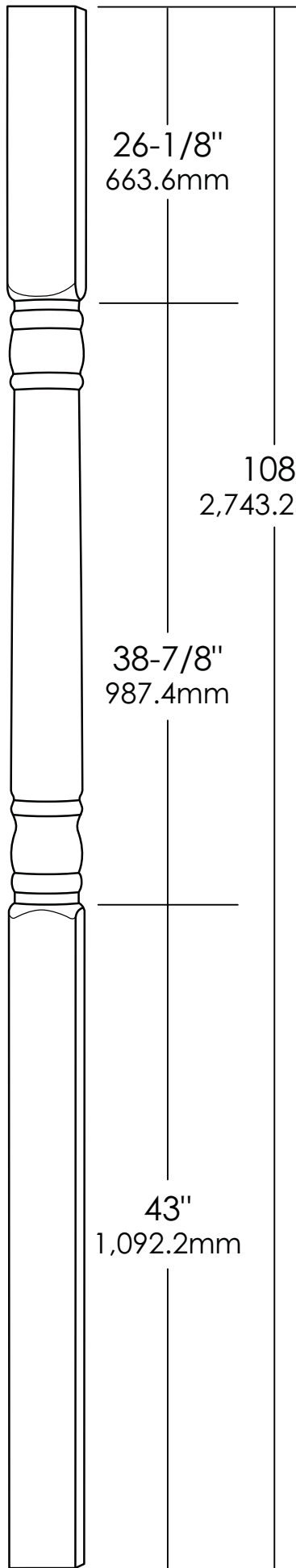
**4" Porch Post Plate**



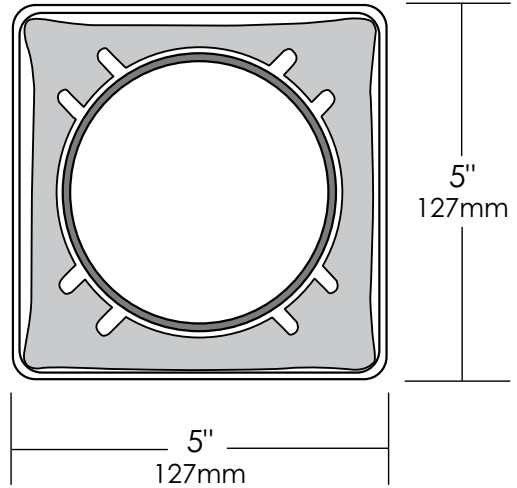
**TUSCAN**  
 MANUFACTURING  
 www.tuscanmfg.com

This drawing is the property of Tuscan Manufacturing.  
 Any hard copy of this drawing may not be current.  
 This document and or images contained within may not be reproduced in publication format without express written consent of Tuscan Manufacturing. Drawings may not be to scale.

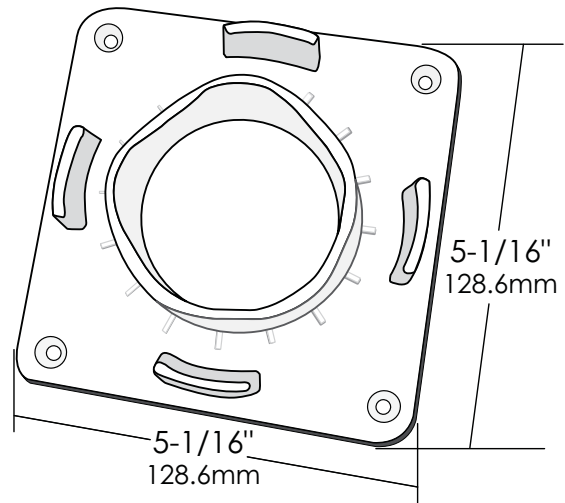
TUSCAN MANUFACTURING			
P.O. Box 185 Landisville, PA 17538			
UCM PART#	REF#	REV	
SCALE	SHEET#	DRAWN BY	DATE
	1 of 1	Tuscan	7/17/09



**5" Porch Post**  
(Cross Section View)



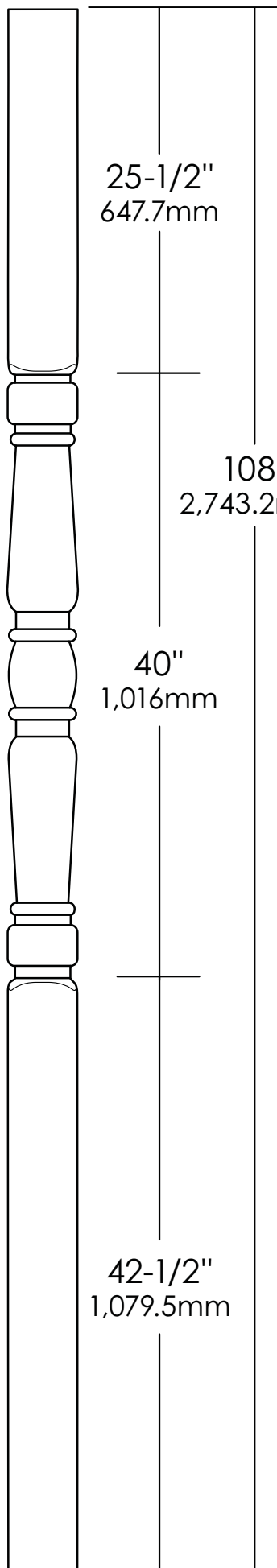
**5" Porch Post Plate**



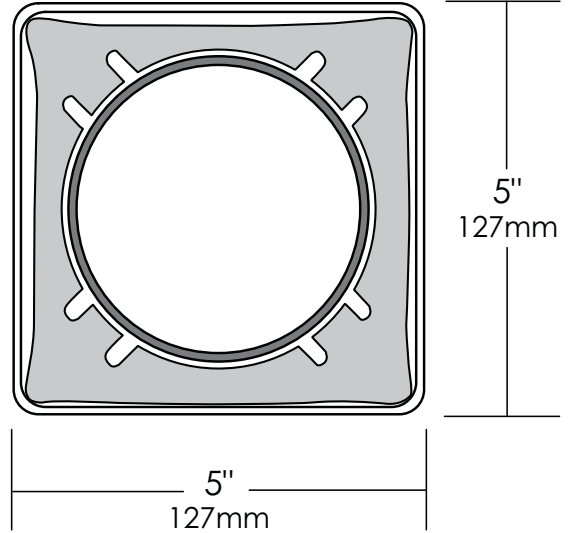
**TUSCAN**  
 MANUFACTURING  
 www.tuscanmfg.com

This drawing is the property of Tuscan Manufacturing.  
 Any hard copy of this drawing may not be current.  
 This document and or images contained within may not be reproduced in publication format without express written consent of Tuscan Manufacturing. Drawings may not be to scale.

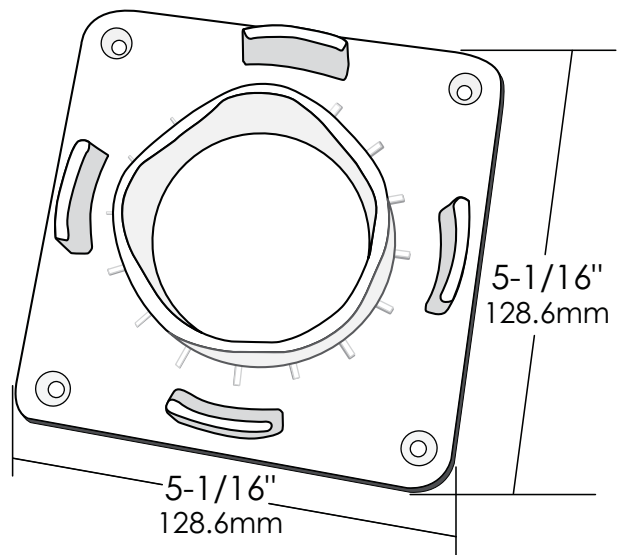
<b>TUSCAN MANUFACTURING</b>			
P.O. Box 185 Landisville, PA 17538			
UCM PART#	REF#	REV	
	TP405R		
SCALE	SHEET#	DRAWN BY	DATE
	1 of 1	Tuscan	7/17/09



**5" Porch Post  
(Cross Section View)**



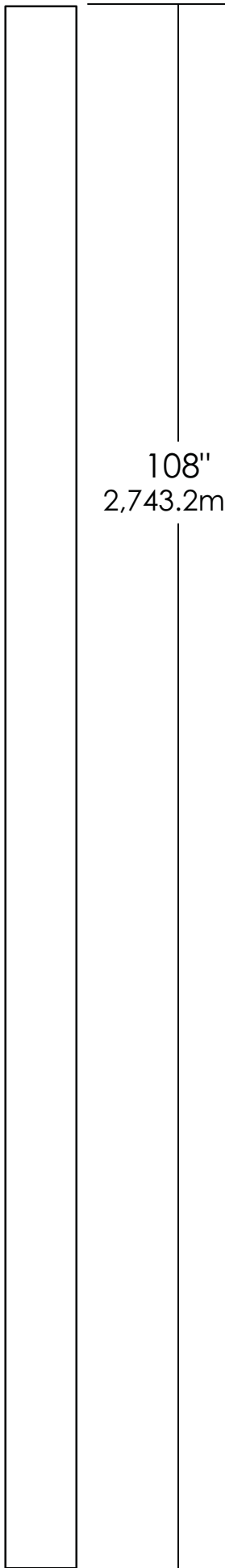
**5" Porch Post Plate**



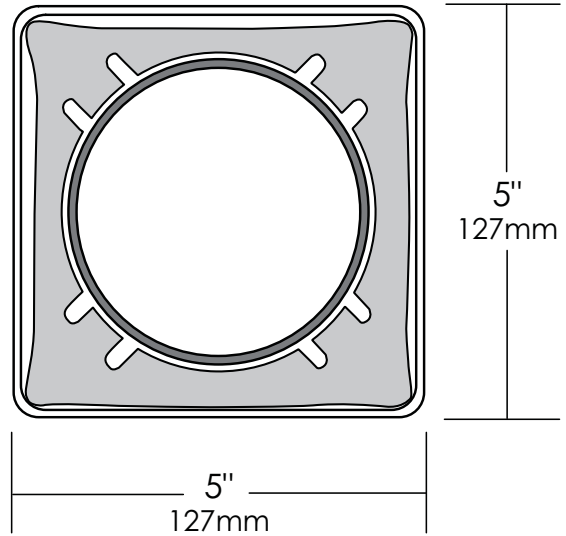
**TUSCAN**  
 MANUFACTURING  
 www.tuscanmfg.com

This drawing is the property of Tuscan Manufacturing.  
 Any hard copy of this drawing may not be current.  
 This document and or images contained within may not be reproduced in publication format without express written consent of Tuscan Manufacturing. Drawings may not be to scale.

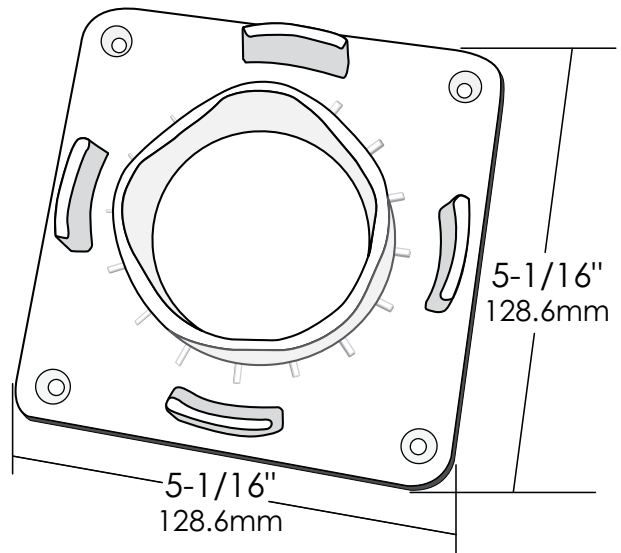
TUSCAN MANUFACTURING			
P.O. Box 185 Landisville, PA 17538			
UCM PART#	REF#	REV	
SCALE	SHEET#	DRAWN BY	DATE
	1 of 1	Tuscan	7/17/09



**5" Porch Post  
(Cross Section View)**



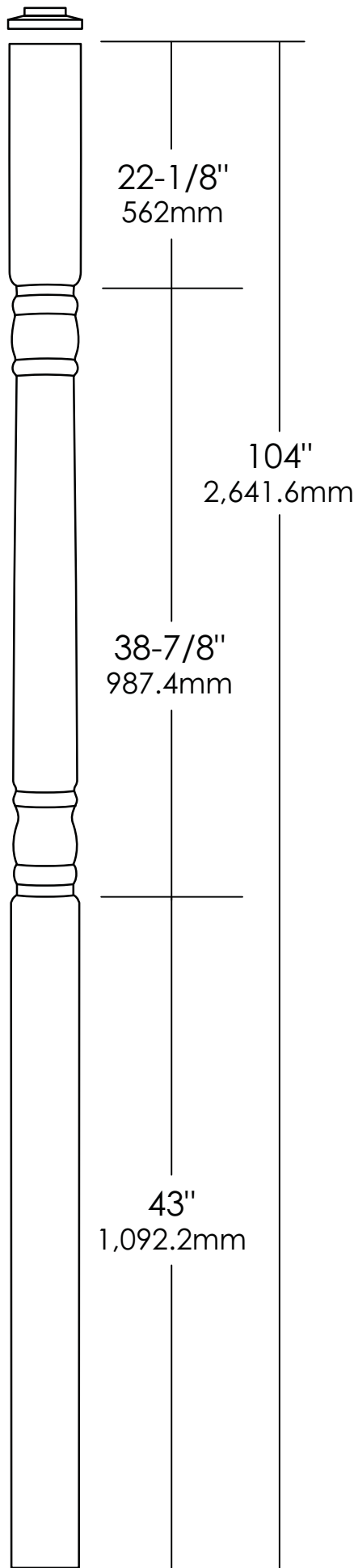
**5" Porch Post Plate**



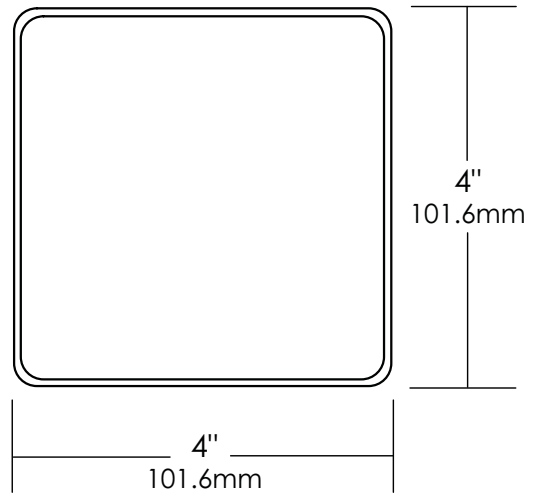
**TUSCAN**  
 MANUFACTURING  
 www.tuscanmfg.com

This drawing is the property of Tuscan Manufacturing.  
 Any hard copy of this drawing may not be current.  
 This document and or images contained within may not be reproduced in publication format without express written consent of Tuscan Manufacturing. Drawings may not be to scale.

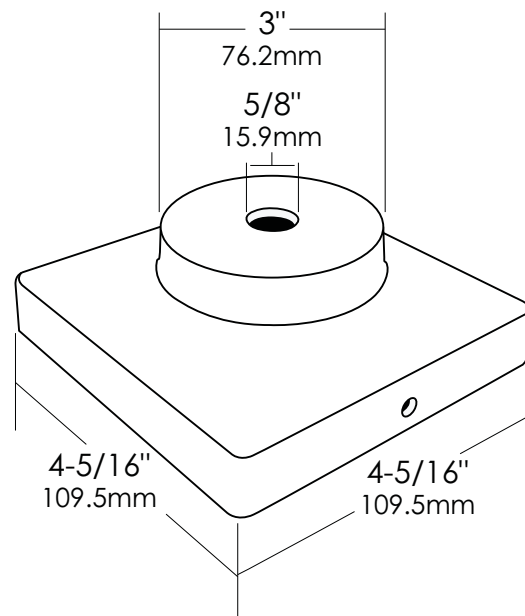
TUSCAN MANUFACTURING			
P.O. Box 185 Landisville, PA 17538			
UCM NUMBER	REF#	REV	
	TP454C		
SCALE	SHEET#	DRAWN BY	DATE
	1 of 1	Tuscan	7/16/09



**4" Lamp Post**  
(Cross Section View)



**4" Lamp Post Adapter**



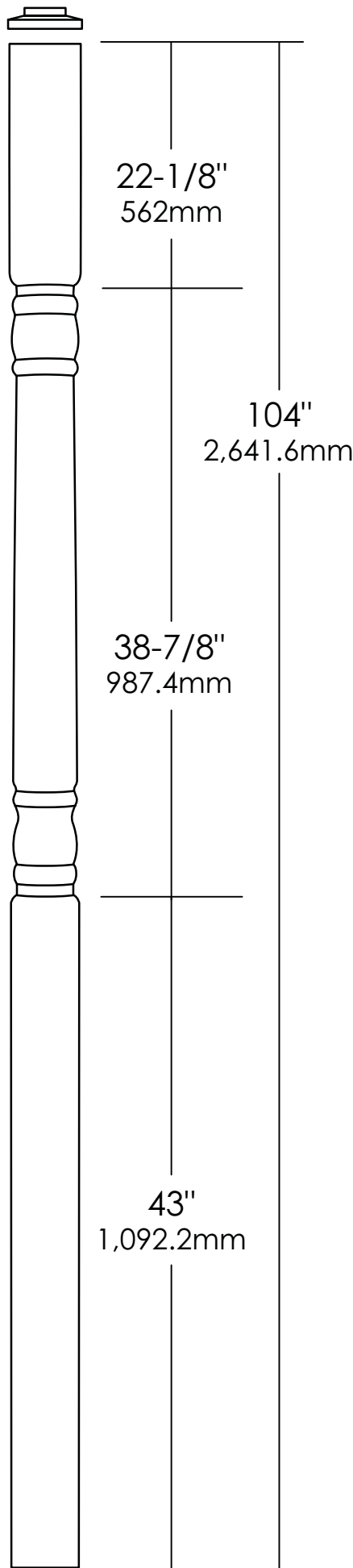
NOTE: Light Fixture Not Included



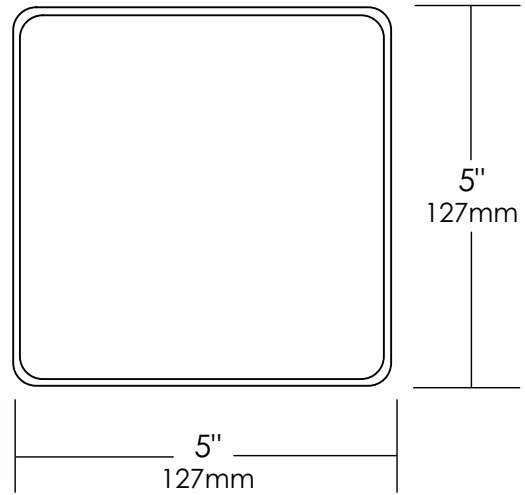
**TUSCAN**  
 MANUFACTURING  
 www.tuscanmfg.com

This drawing is the property of Tuscan Manufacturing.  
 Any hard copy of this drawing may not be current.  
 This document and or images contained within may not be reproduced in publication format without express written consent of Tuscan Manufacturing. Drawings may not be to scale.

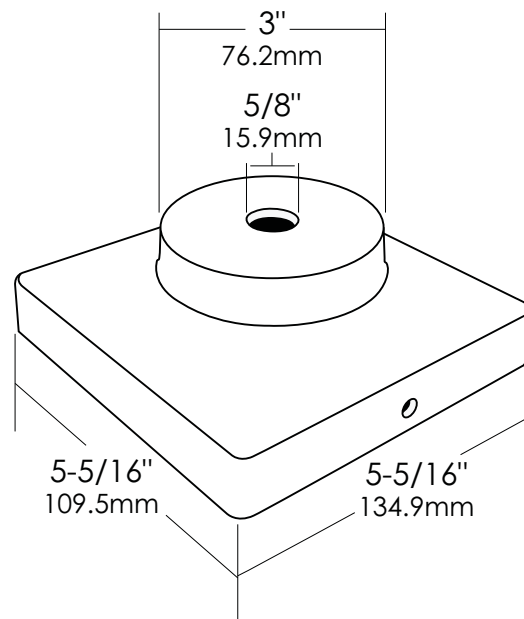
TUSCAN MANUFACTURING			
P.O. Box 185 Landisville, PA 17538			
UCM NUMBER	REF#	REV	
SCALE	SHEET#	DRAWN BY	DATE
	1 of 1	Tuscan	7/16/09



**5" Lamp Post**  
(Cross Section View)



**5" Lamp Post Adapter**



NOTE: Light Fixture Not Included



**TUSCAN**  
MANUFACTURING  
www.tuscanmfg.com